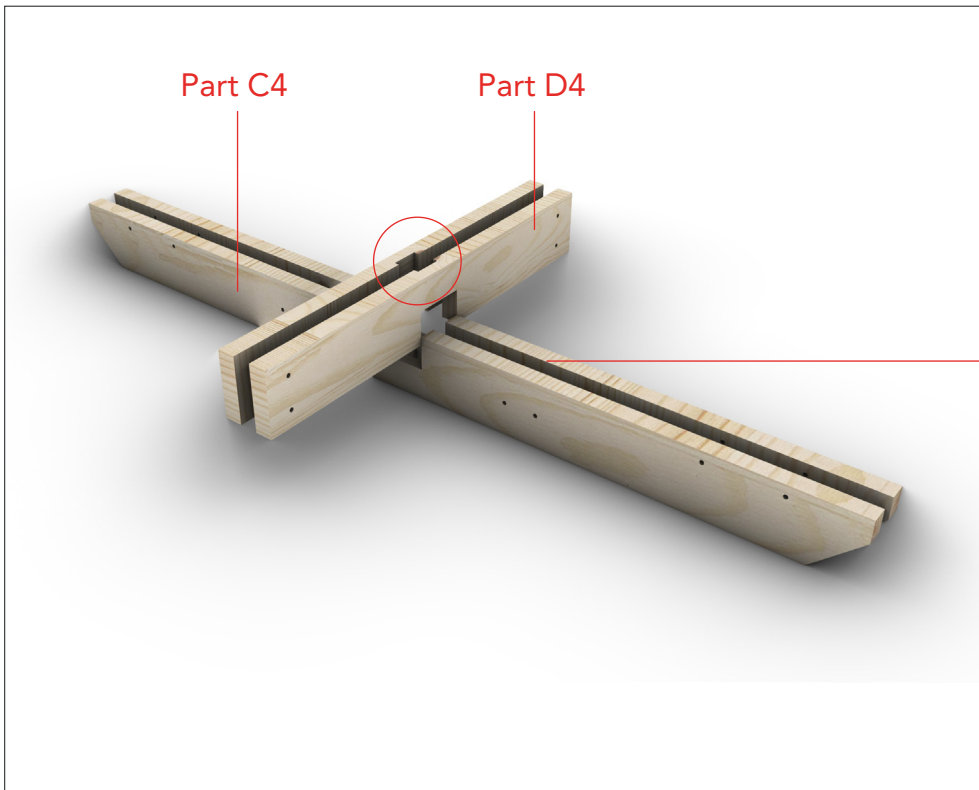


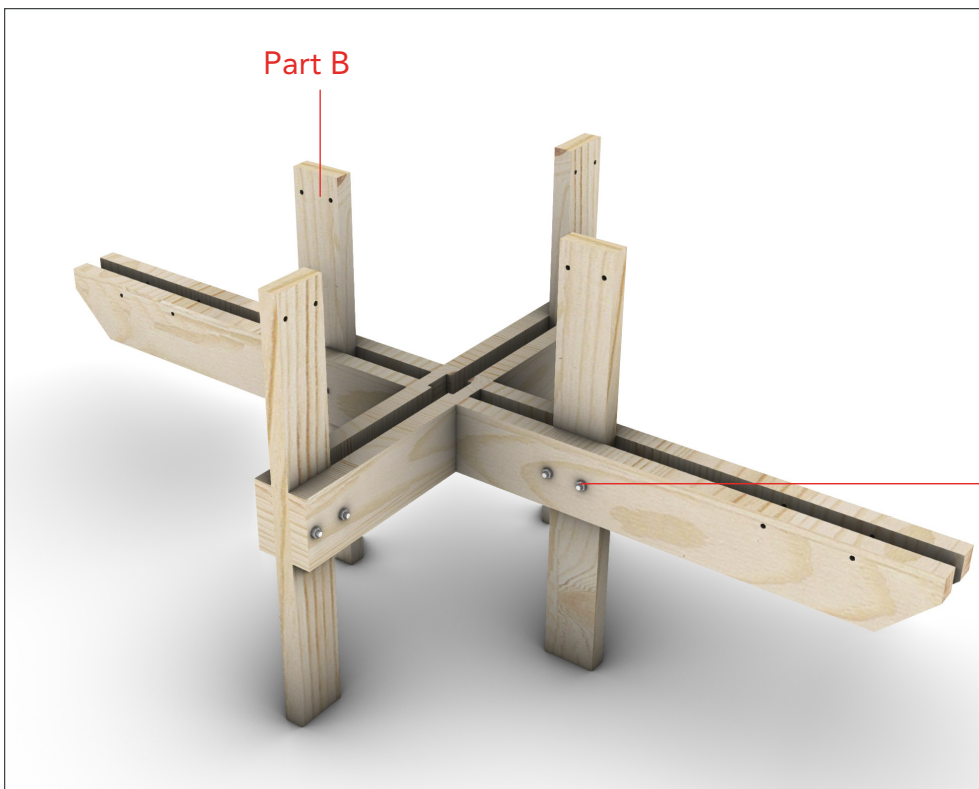
MALUS
SILVA Picnic furniture
Mounting instructions



01.

Place the main cross beams over each other as shown.

Important! the area in the center should look as shown in the red circle (creating a rectangular hole in the middle of the product when viewed from above). The grooves in the center of the beam should face each other.

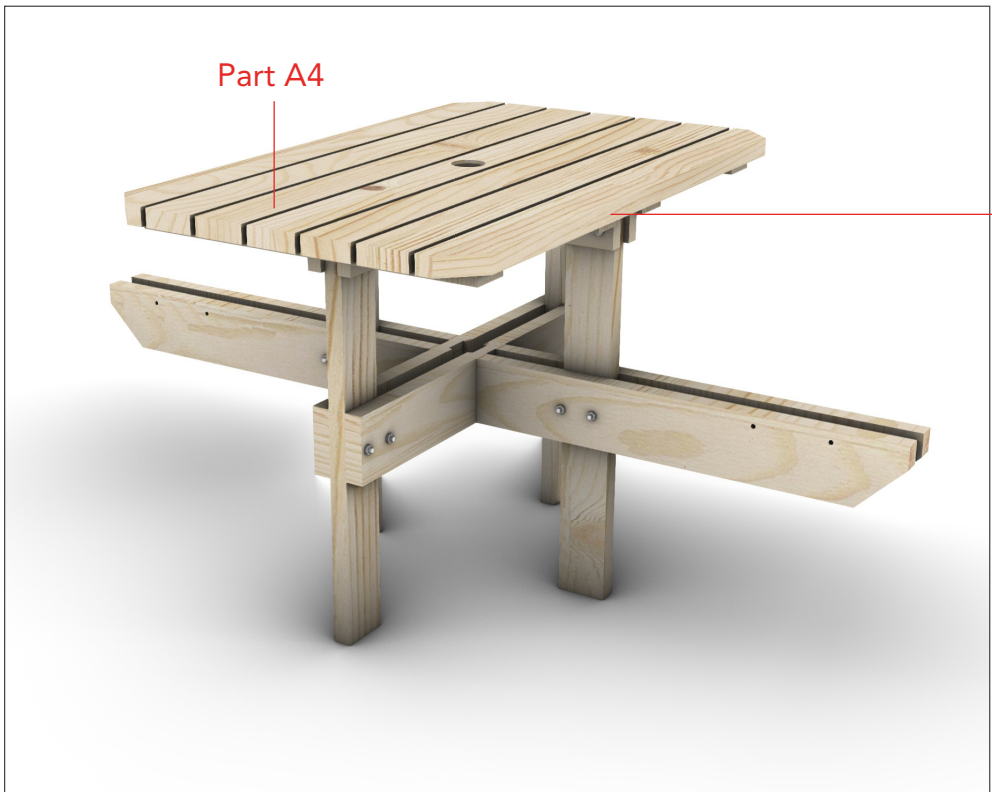


02.

Connect 4 leg pieces (parts B) to the cross beams with bolts and nuts.

Bolts : M8x110 - 8st
Washer : M8 - 16st
Nuts : M8 - 8st

MALUS
SILVA Picnic furniture
Mounting instructions



03.

Place the pre-connected table surface (part A4) on the 4 legs.

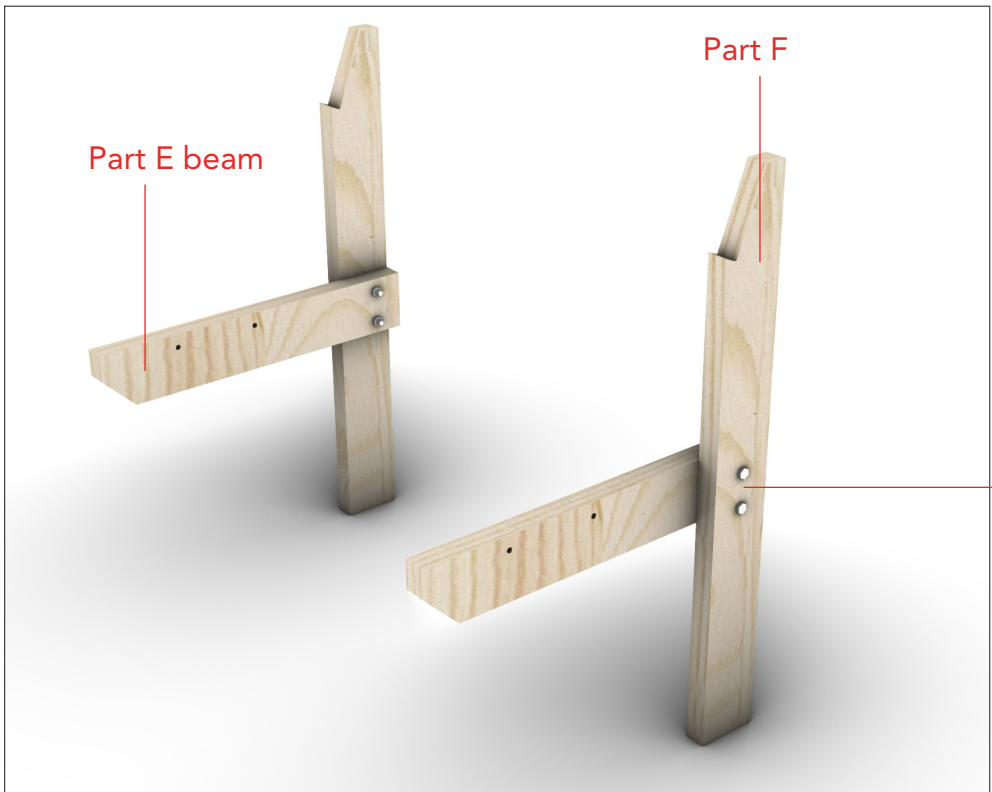


03.

Attach the tabletop to the legs with bolts and nuts.

Bolts : M8x100 - 8st
Washer : M8 - 16st
Nuts : M8 - 8st

MALUS
SILVA Picnic furniture
Mounting instructions

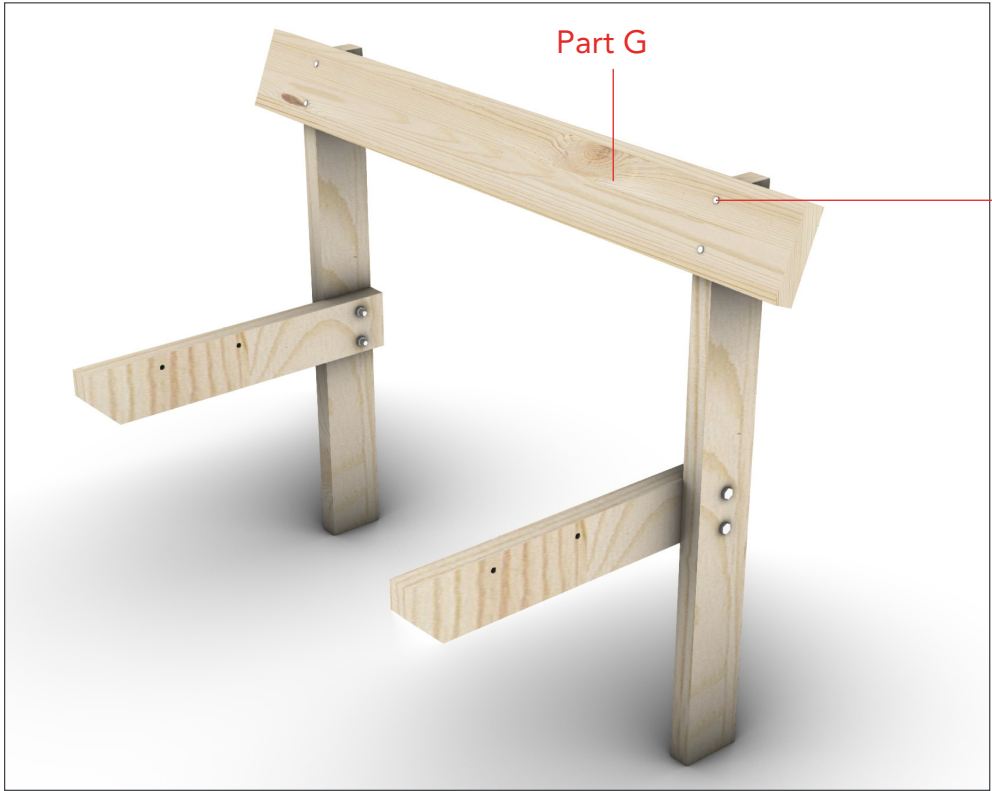


04.

Mount 2 benches :

Start by attaching bench horizontal beams (parts E beam) to the bench legs (Parts F) as shown.

For 2 benches :
Bolts : M8x80 - 8st
Washer : M8 - 16st
Nuts : M8 - 8st



05.

Attach bench backrest (part G) to the legs with wood screws.

For 2 benches:
Wood screws 4.5x60 - 8st

MALUS
SILVA Picnic furniture
Mounting instructions



06.

Place the pre-connected bench seat (part E seat) on the bench horizontal beams.

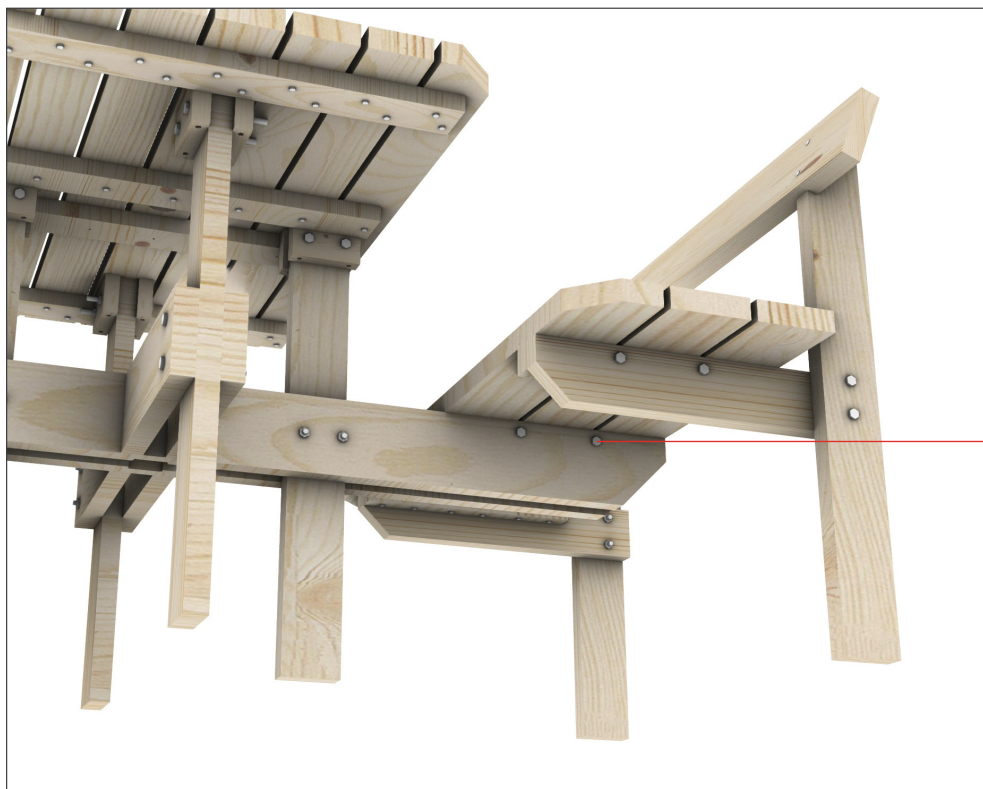


07.

Attach the seat to the bench leg structure with bolts and nuts.

For 2 benches:
Bolts : M8x80 - 8st
Washer : M8 - 16st
Nuts : M8 - 8st

MALUS
SILVA Picnic furniture
Mounting instructions



08.

Place the mounted benches on the cross beams of the table and fasten with bolts and nuts.

For 2 benches:
Bolts : M8x110 - 4st
Washer : M8 - 8st
Nuts : M8 - 4st



09.

Benches attached to the cross beams opposite each other.