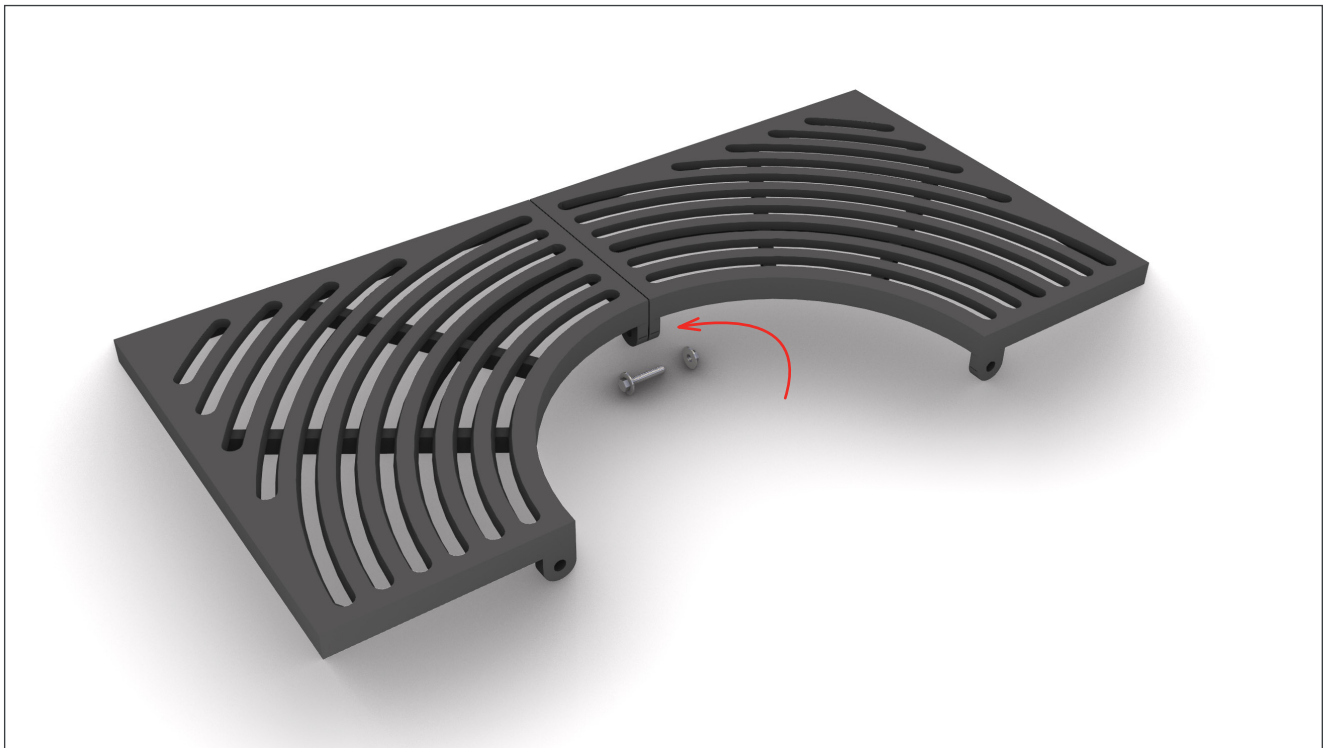
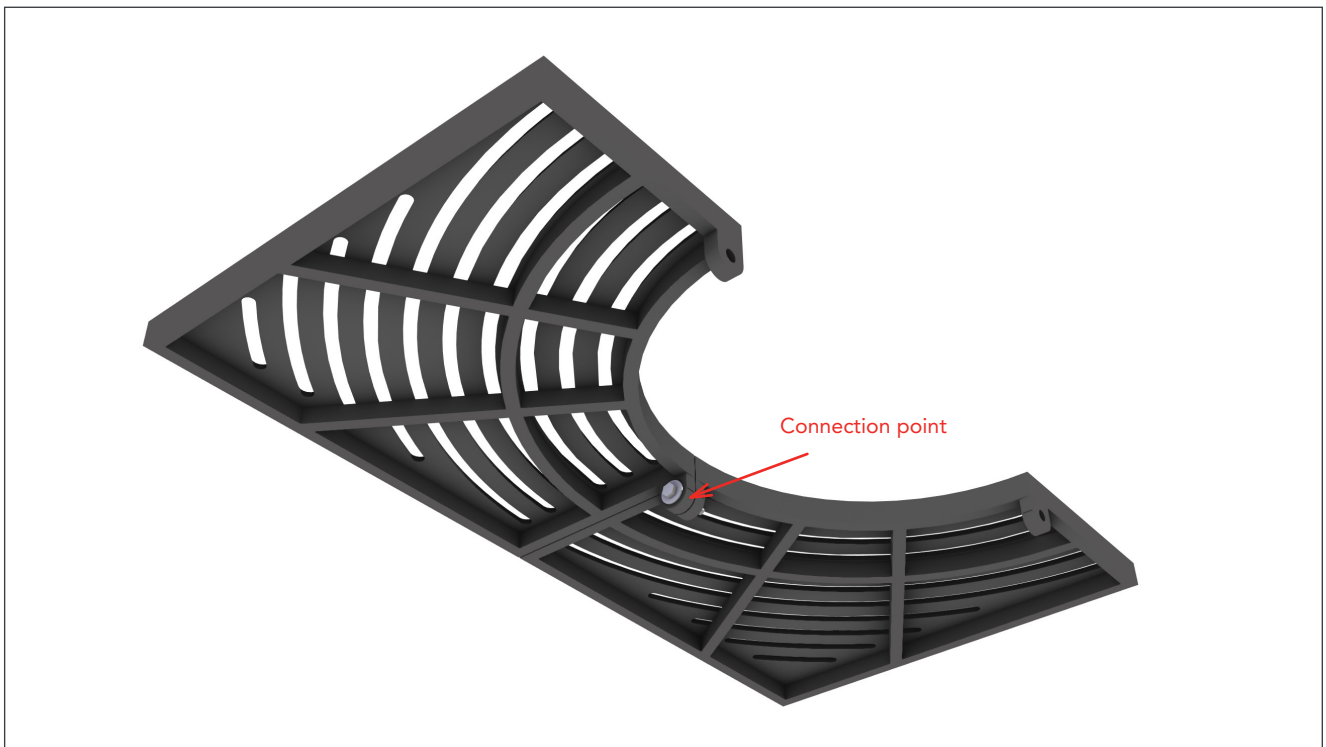


MALUS
CORTLAND CLASSIC Grating
Mounting instructions



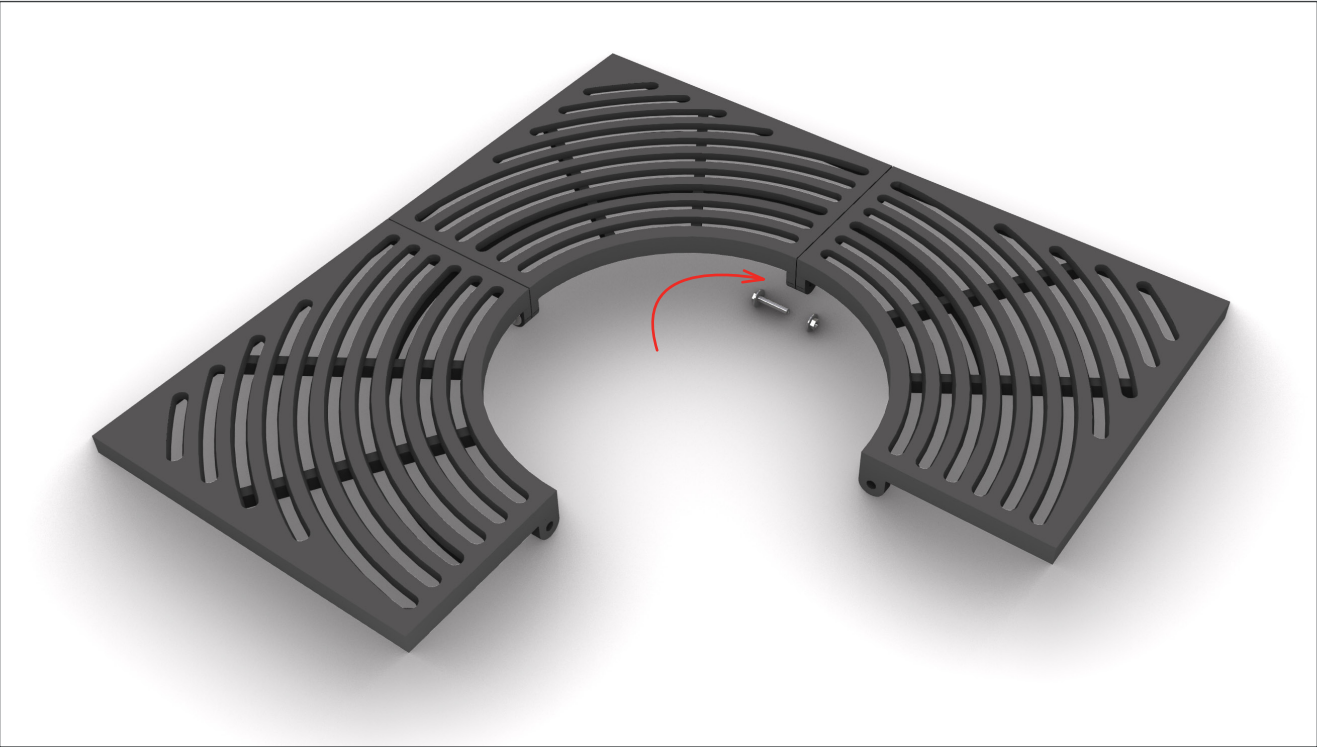
01.

Place 2 quarter pieces next to each other as shown. Insert a bolt and washer through the connection "ears" and fasten with a nut and washer. Make sure the grating pieces create one even horizontal plane.



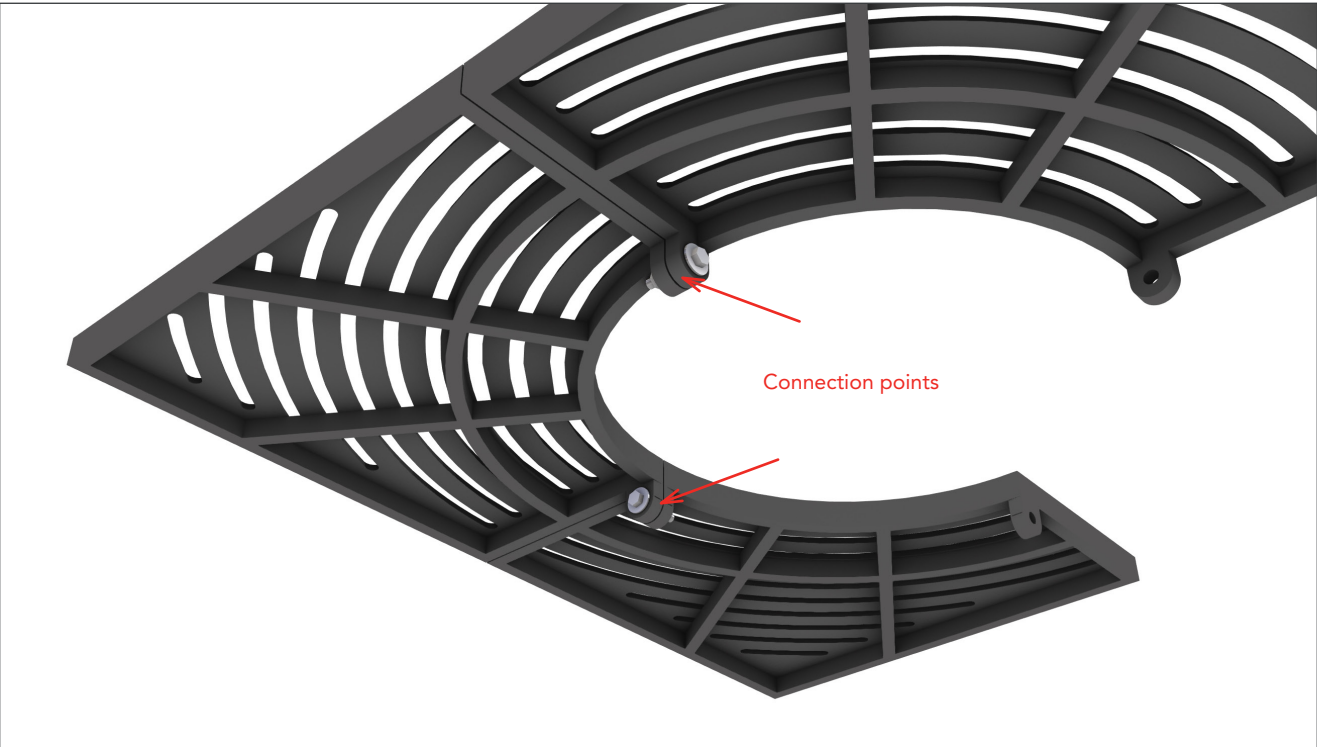
Under side view

MALUS
CORTLAND CLASSIC Grating
Mounting instructions



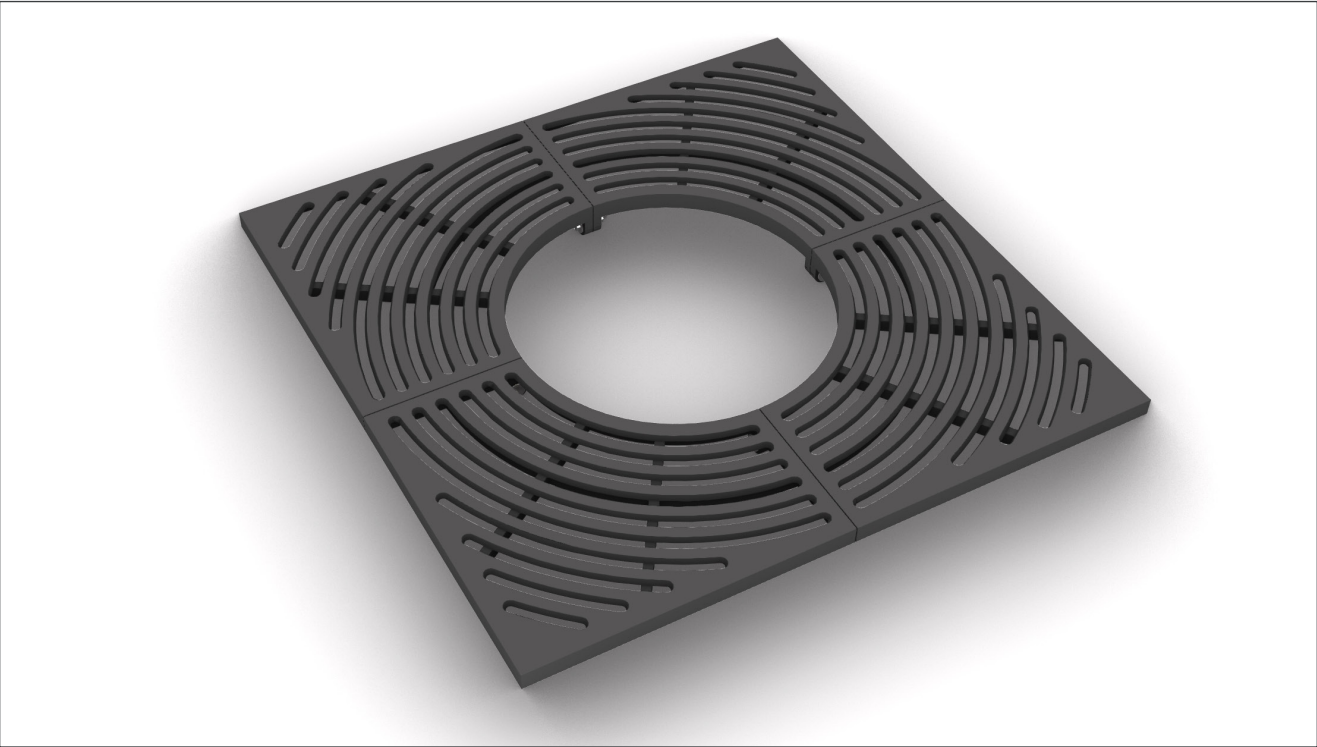
02.

Place another quarter piece next to the first two, as shown. Insert a bolt and washer through the connection "ears" and fasten the third quarter with a nut and washer. Make sure the grating pieces create one even horizontal plane.



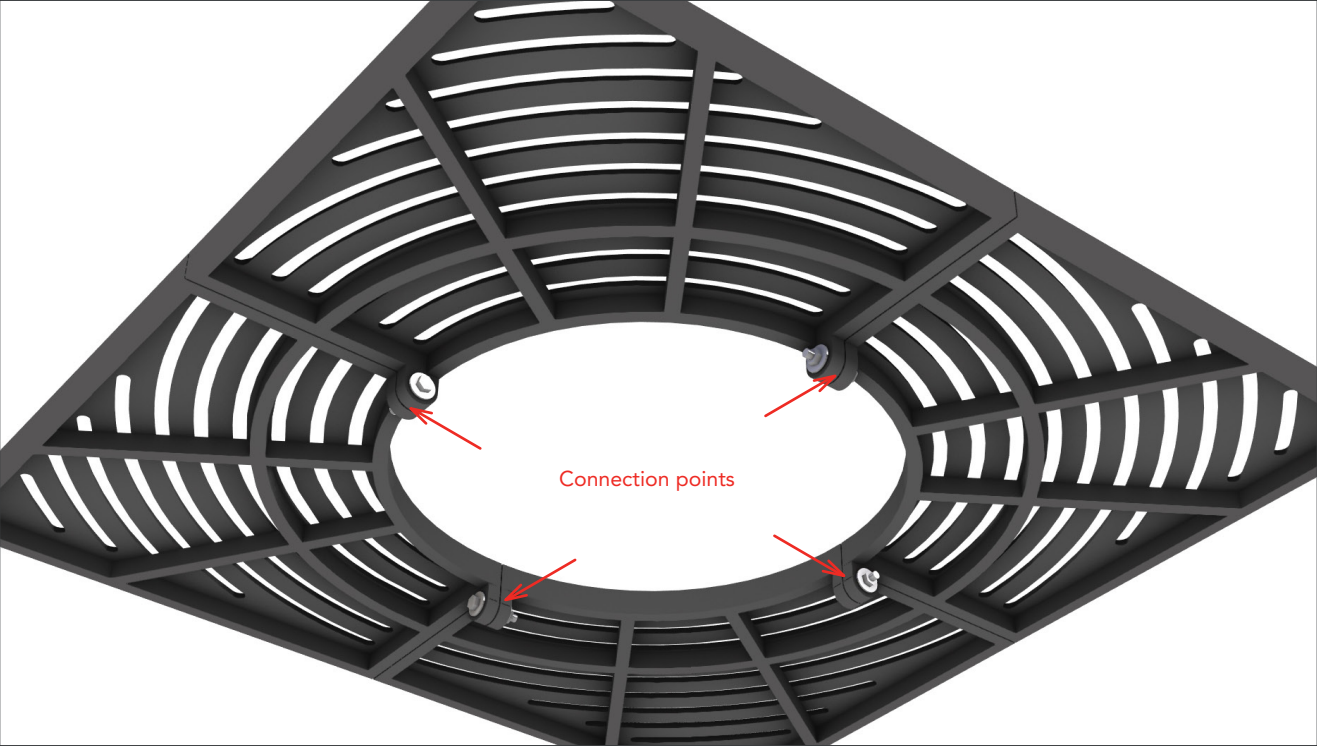
Under side view

MALUS
CORTLAND CLASSIC Grating
Mounting instructions



03.

Place the final quarter piece next to the first three, as shown. Insert 2 bolts with washers through last 2 connection "ears". Fasten the last quarter with 2 nut with washers. All quarters now fastened together at the 4 connection points. . Make sure the grating pieces create one even horizontal plane.



Under side view