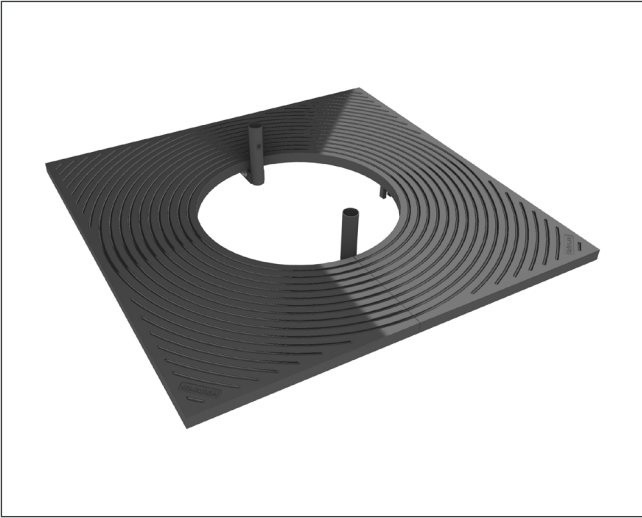


MALUS  
CHARLES ROSS Tree guard  
Mounting instructions

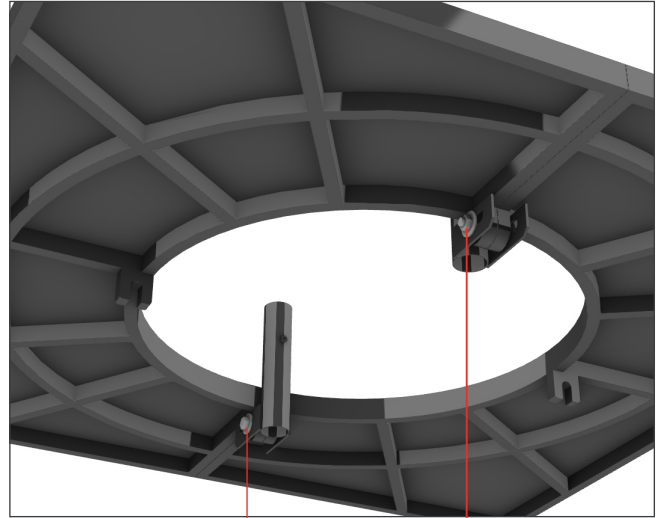


01.

Place 2 connectors A as shown in the image. Use 2xM12 Nuts and bolts to connect the 2 halves of the metal grating and the tree guard connectors

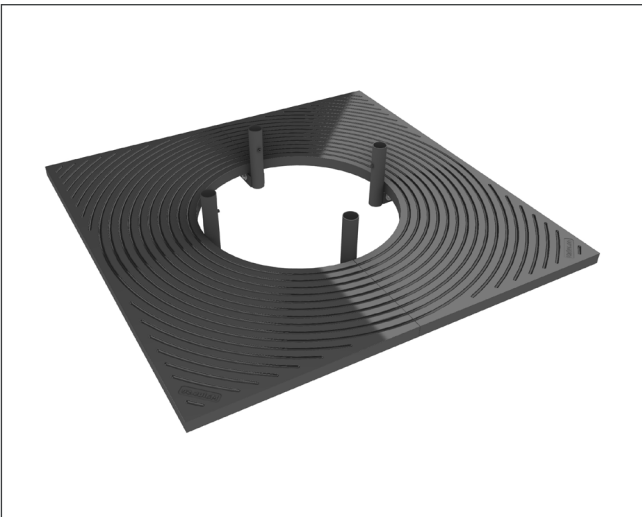
Note! Fasten the nuts and bolts almost all the way, but allow for some final tightening after mounting the tree guard.

Note! The vertical round tubes should be as close as possible to the round inner rim of the grating.



connector A

connector A

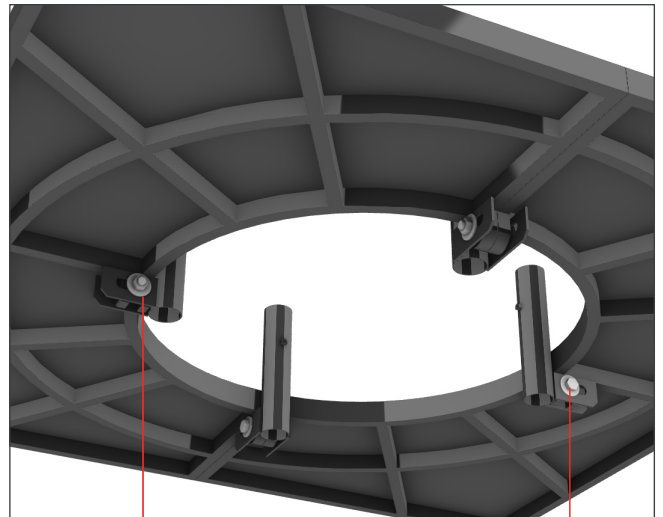


02.

Use 2xM12 Nuts and bolts to attach the 2 tree guard connectors B.

Note! Fasten the nuts and bolts almost all the way, but allow for some final tightening after mounting the tree guard.

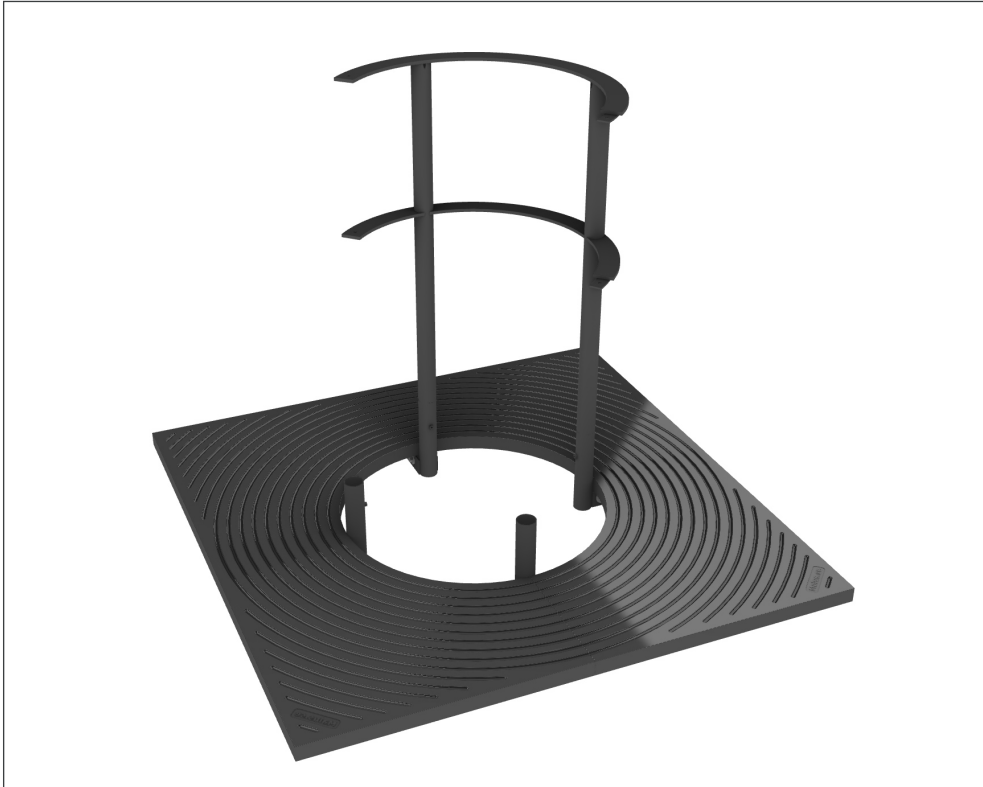
Note! The vertical round tubes should be as close as possible to the round inner rim of the grating.



connector B

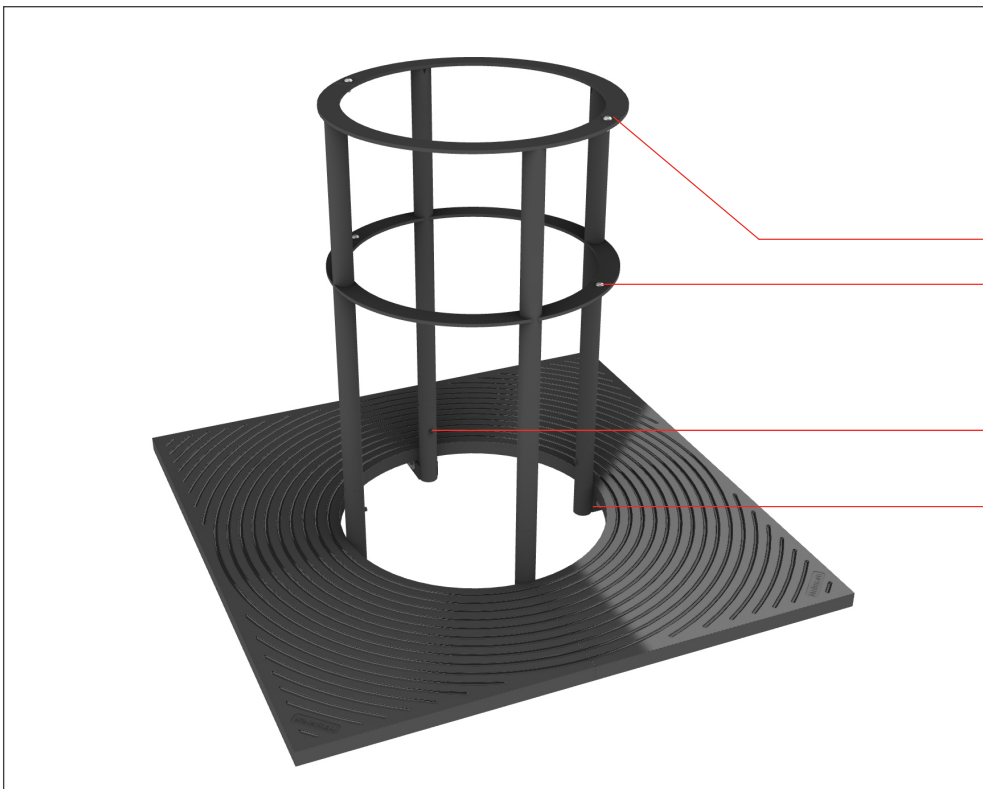
connector B

MALUS  
CHARLES ROSS Tree guard  
Mounting instructions



**03.**

Place 1 half of the tree guard in the grating connectors as shown.



**04.**

Place the second half of the tree guard.

Fasten the top rings with 4xM8 nuts and bolts

Fasten the tree guard upper structure to the bottom tube connectors with M8 bolts

Tighten the M12 bolts connecting the tree guard to the grating.